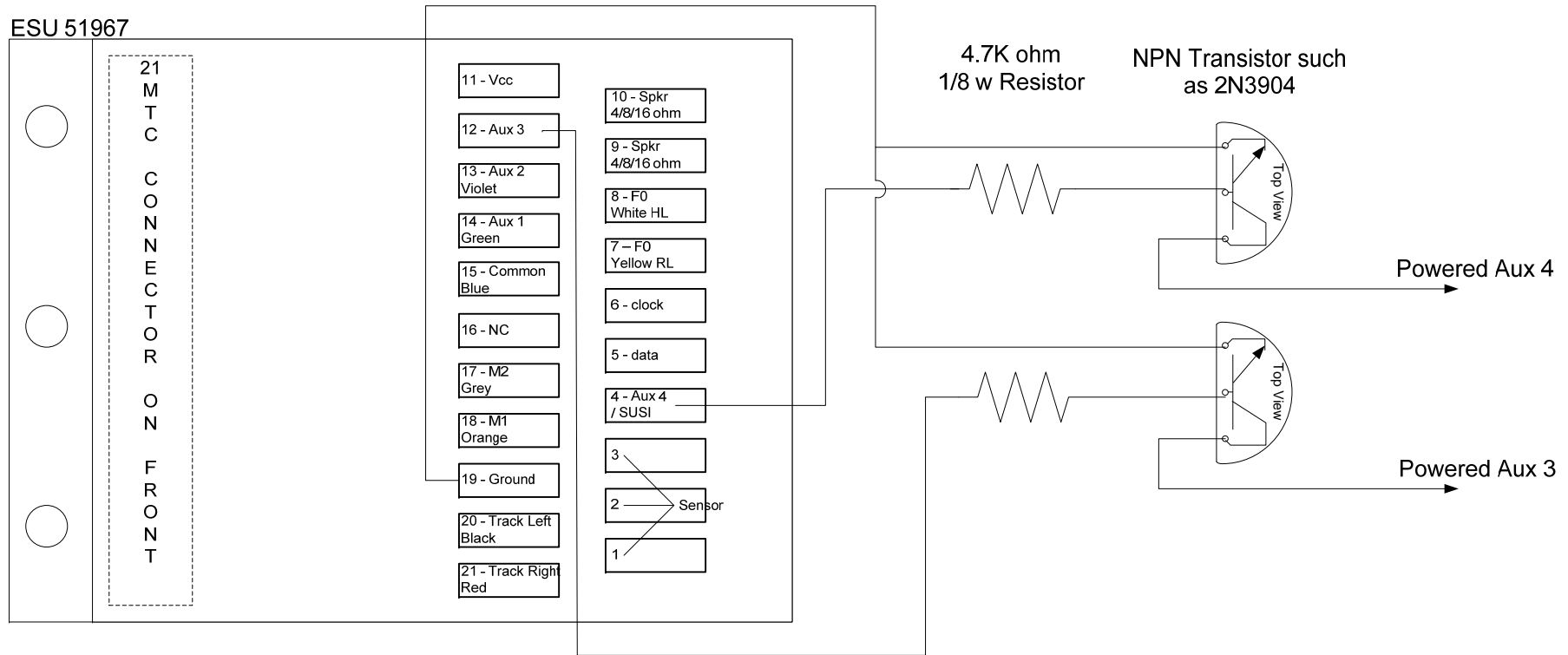


ESU #51967 21MTC Adapter Board BACK Side (opposite connector)

Solder Pad Diagram with Pad number, 21MTC Pinout, and NMRA color code

Also showing optional Aux 3 and 4 “roll your own” amplifier



Back side used for soldering to avoid component interference with v4 decoder when installed in connector.